



KOHEN CONCRETE PRODUCTS, INC.

Since 1952

1126 Old Carlyle Rd, Germantown, IL 62245 | Phone: 618-523-4266 | Belleville Phone: 618-277-2120 | Fax: 618-523-4751 | www.kohenconcrete.com

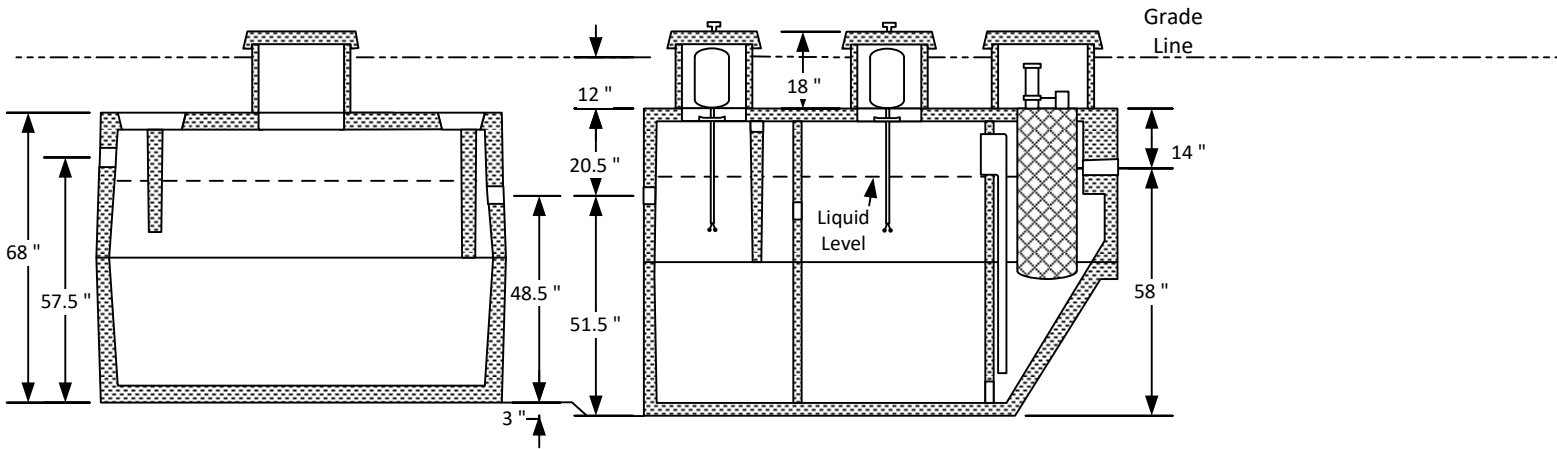
NORWECO SINGLAIR® AEROBIC TREATMENT PLANT

MODEL 960 - 1000 GPD

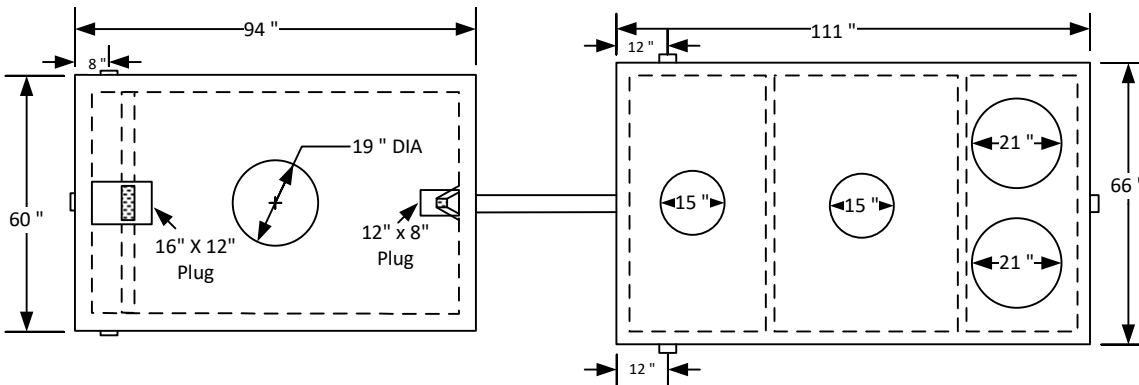
APPLICATION: COMMERCIAL OR MULTI-FAMILY

TREATMENT CAPACITY: 1000 GALLONS PER DAY

LIQUID CAPACITY: 2300 GALLONS



Recommended distance between tanks is 12"



NOTES:

1. Excavation Size: 20' x 7', Total depth for normal installation is 7', Deeper installations are possible but our office should be contacted for authorization and specifics.
2. It is critical that tank is level for proper operation of system.
3. A 4" pad of sand or rock should be leveled at bottom of excavation to help assure a level set and to prevent settling.

Please note the 3" depth variation between the pretreatment tank and aeration tank.

WEIGHT: 19,300 LBS