



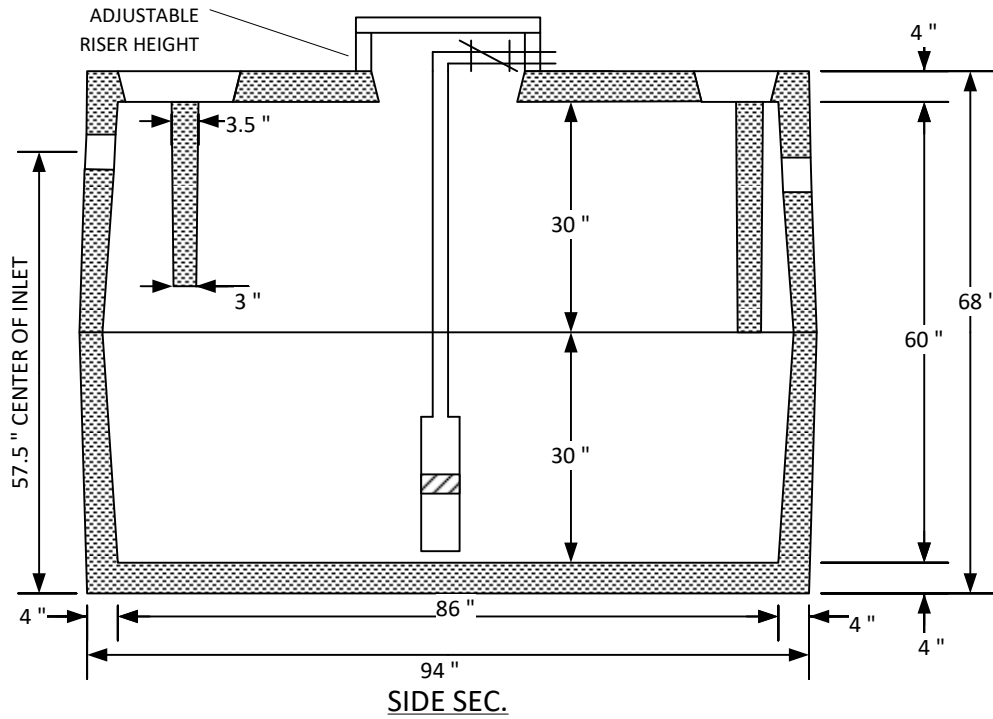
KOHLEN CONCRETE PRODUCTS, INC.

Since 1952

1126 Old Carlyle Rd, Germantown, IL 62245 | Phone: 618-523-4266 | Belleville Phone: 618-277-2120 | Fax: 618-523-4751 | www.kohlenconcrete.com

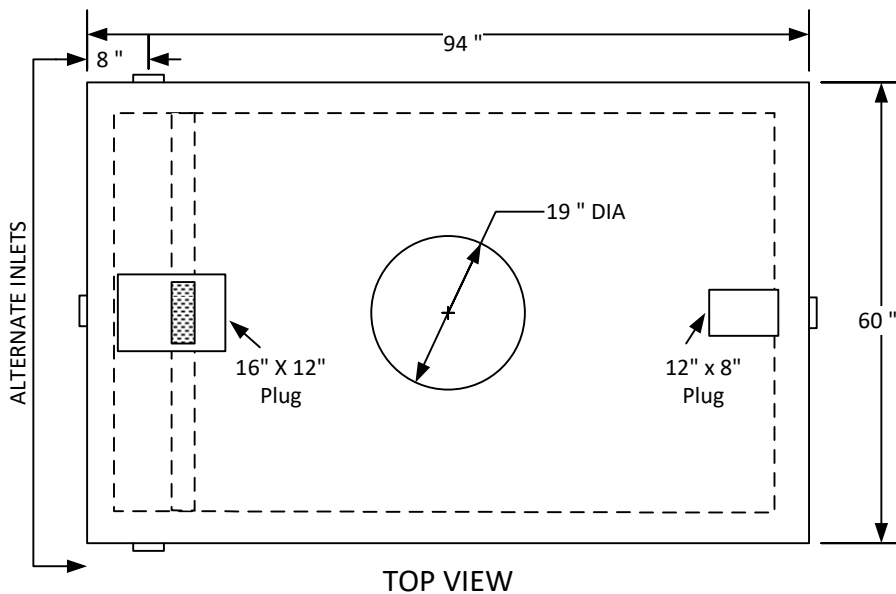
1250 GALLON REINFORCED CONCRETE DOSING TANK

EXCAVATION SIZE: 9' L X 6' W



AVAILABLE ACCESSORIES

- (PRICED ON REQUEST)
- PUMPS
- DOSING CONTROLS
- HIGH LEVEL ALARMS
- CHECK VALVES
- UNIONS
- PIPING



WEIGHT: 8,125 LBS

THIS STRUCTURE IS NOT DESIGNED FOR VEHICULAR TRAFFIC OR MORE THAN 4' OF COVER OVER THE TOP OF THE TANK.