

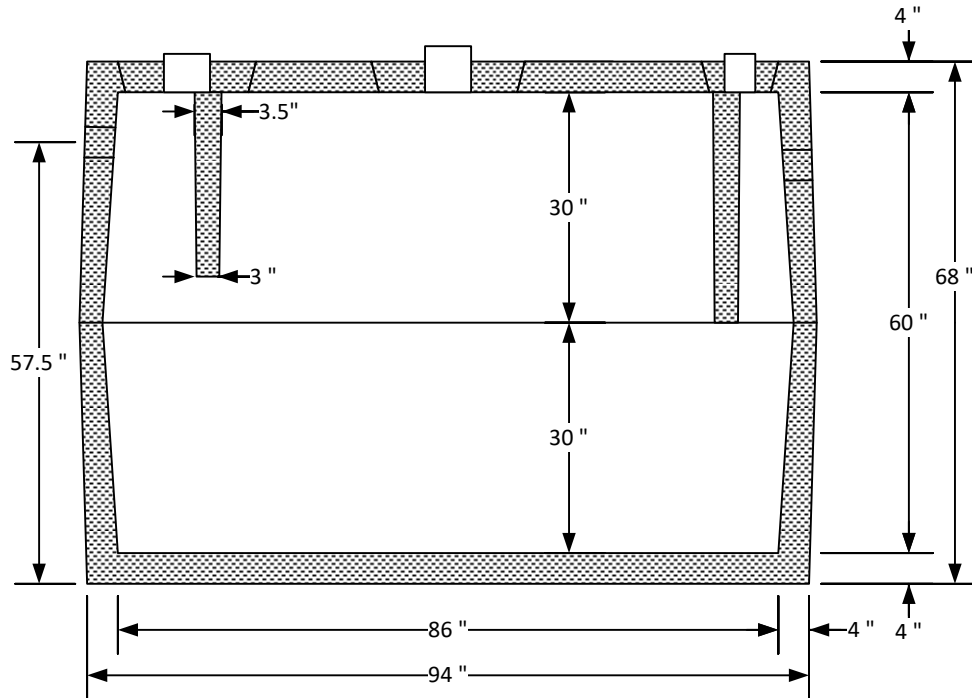


KOHEN CONCRETE PRODUCTS, INC.
Since 1952

1126 Old Carlyle Rd, Germantown, IL 62245 | Phone: 618-523-4266 | Belleville Phone: 618-277-2120 | Fax: 618-523-4751 | www.kohnenconcrete.com

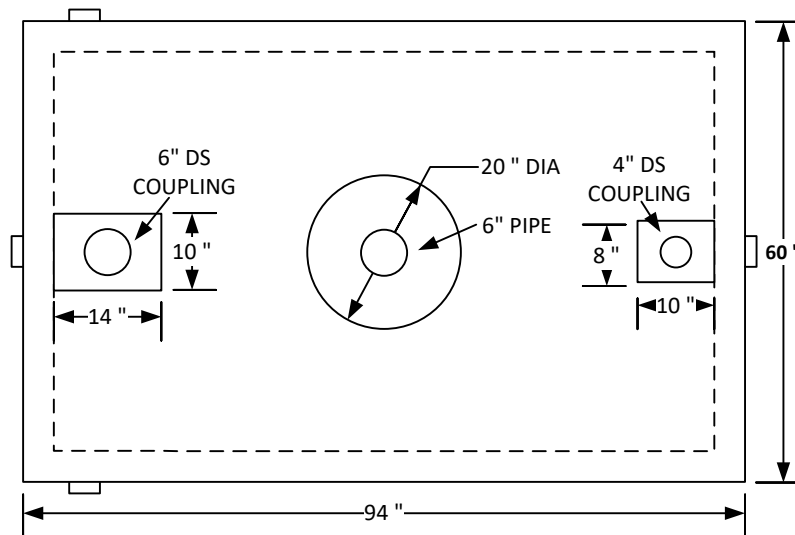
1250 GALLON REINFORCED CONCRETE HOLDING TANK

EXCAVATION SIZE: 9' L X 6' W



SIDE VIEW

ACCESSORIES
HIGH LEVEL ALARM



TOP VIEW

WEIGHT: 8,125 LBS

INCLUDES A 2' LONG 6" DIA. RISER PIPE WITH CAP
FOR THE CENTER LID PUMP OUT PORT. FOR FULL CAPACITY
ROUTE INLET INTO TOP OF THE TANK.