



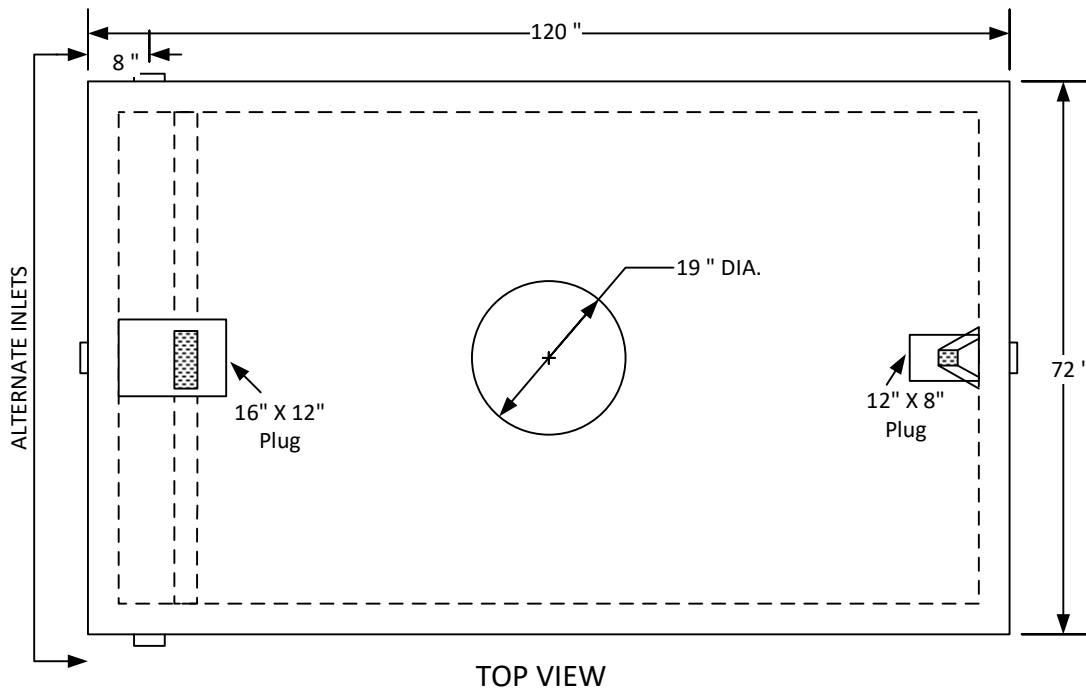
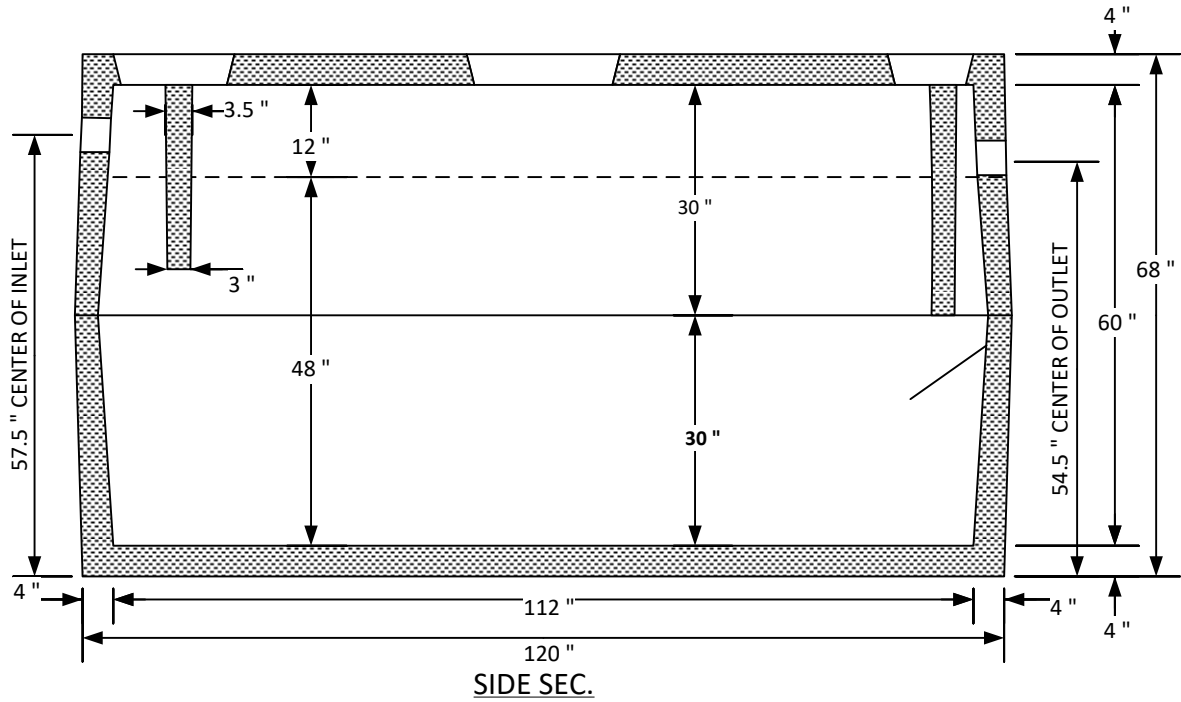
KOHLEN CONCRETE PRODUCTS, INC.

Since 1952

1126 Old Carlyle Rd, Germantown, IL 62245 | Phone: 618-523-4266 | Belleville Phone: 618-277-2120 | Fax: 618-523-4751 | www.kohlenconcrete.com

1500 GALLON REINFORCED CONCRETE SEPTIC TANK

EXCAVATION SIZE: 11' 6" L X 7' 6" W



WEIGHT: 11,340 LBS

THIS STRUCTURE IS NOT DESIGNED FOR VEHICULAR TRAFFIC OR MORE THAN 4' OF COVER OVER THE TOP OF THE TANK.