



KOHEN CONCRETE PRODUCTS, INC.

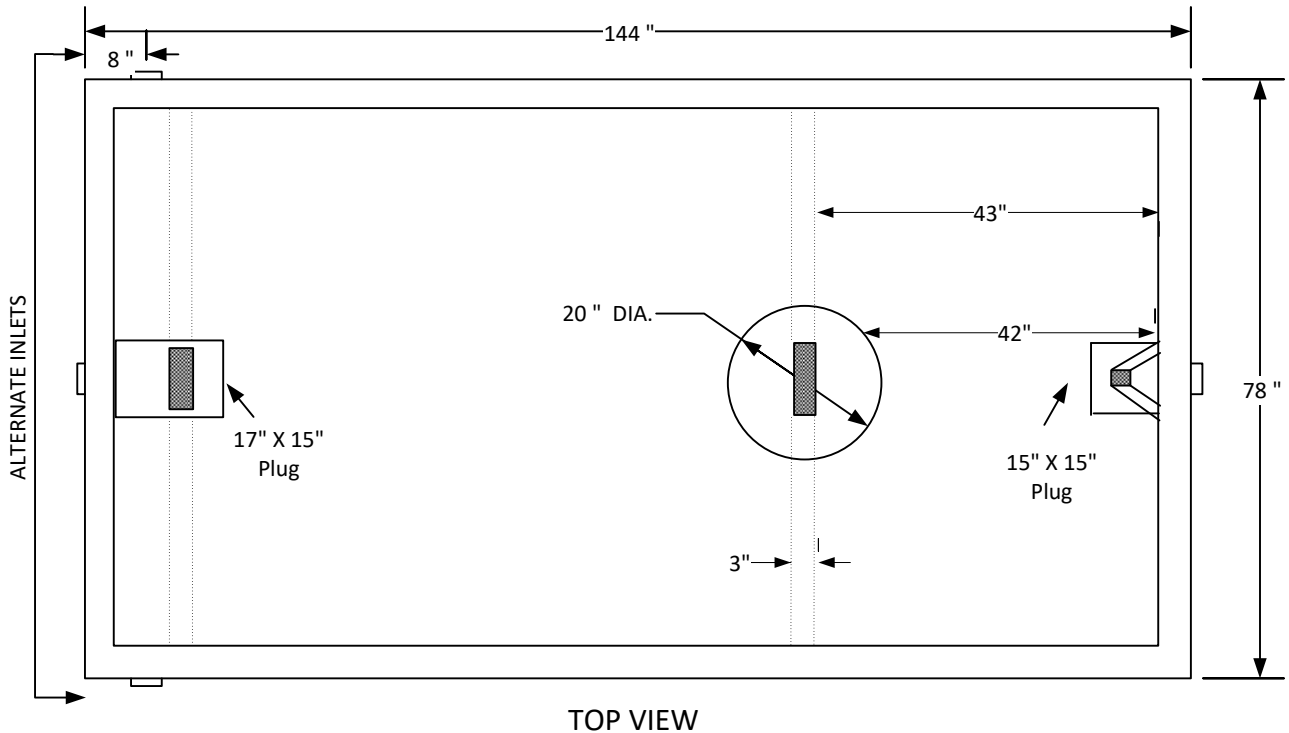
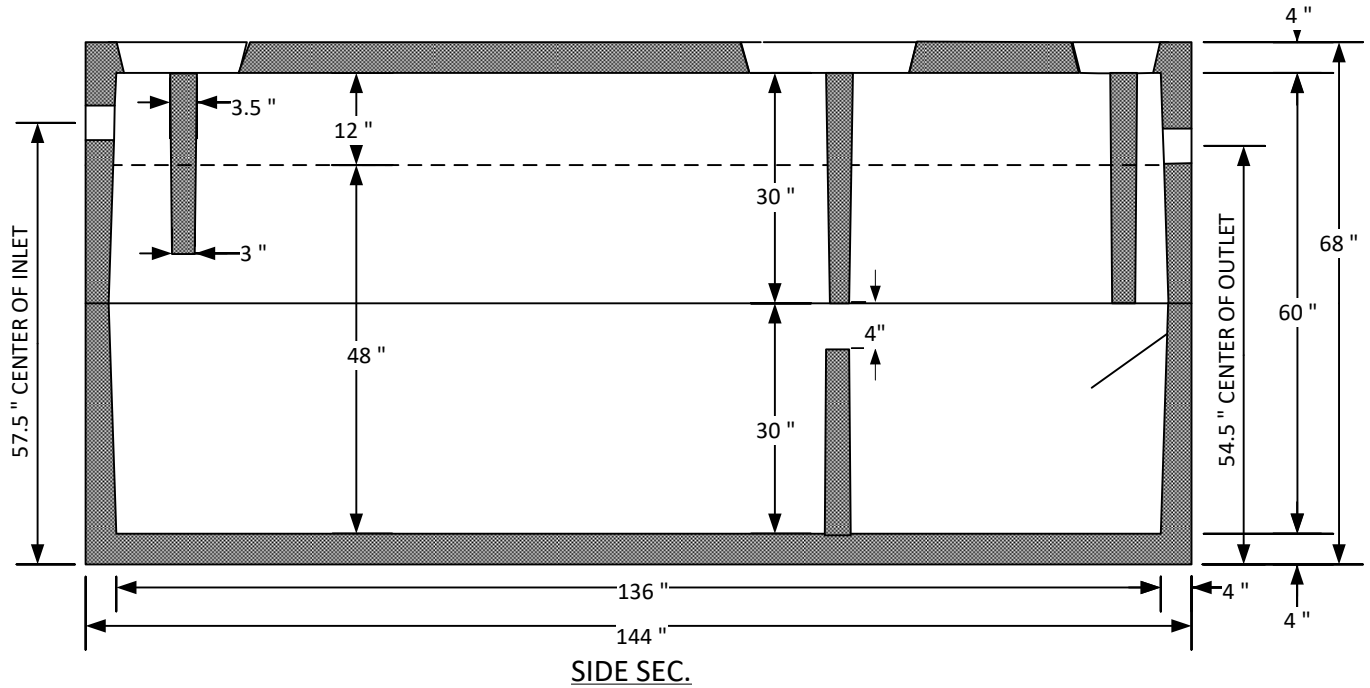
Since 1952

1126 Old Carlyle Rd, Germantown, IL 62245 | Phone: 618-523-4266 | Belleville Phone: 618-277-2120 | Fax: 618-523-4751 | www.kohenconcrete.com

2000 GALLON REINFORCED CONCRETE 2 COMPARTMENT SEPTIC

TANK

EXCAVATION SIZE: 14' L X 8' W



WEIGHT 15,600 LBS.

THIS STRUCTURE IS NOT DESIGNED FOR VEHICULAR TRAFFIC OR MORE THAN 4' OF COVER OVER THE TOP OF THE TANK.