



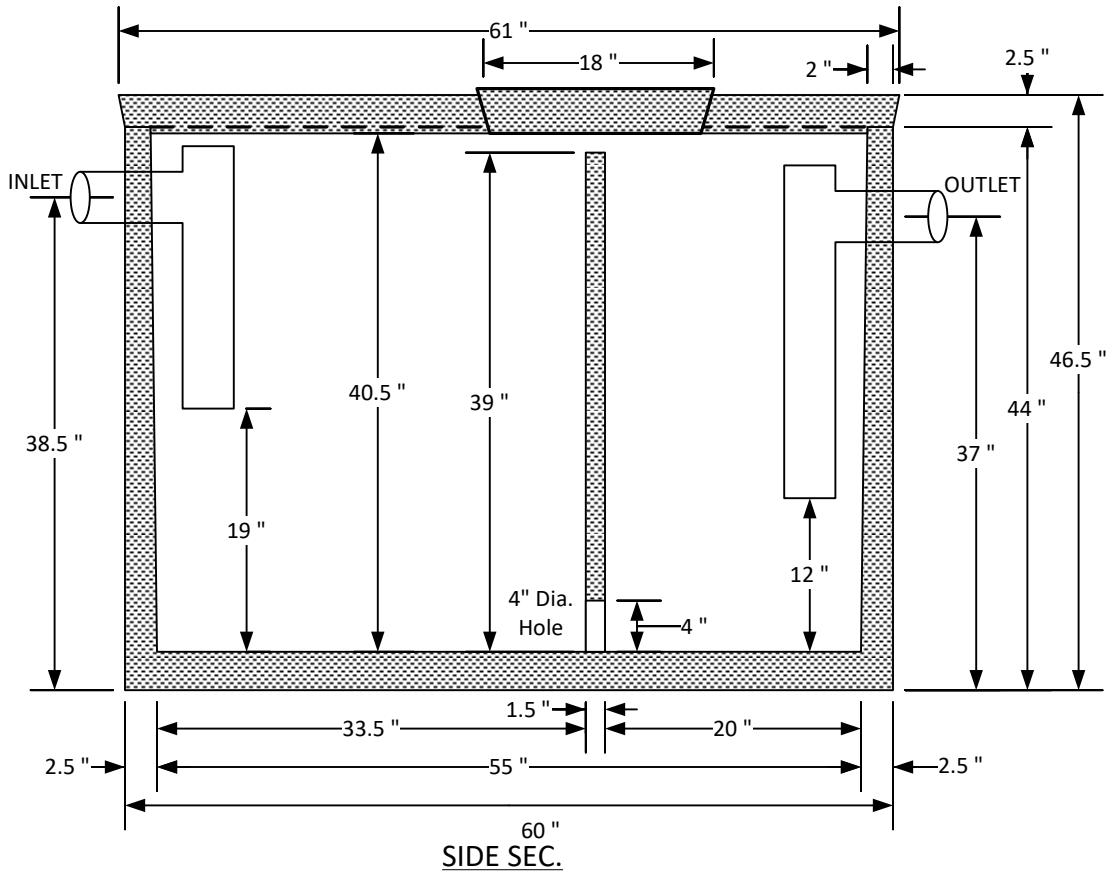
KOHLEN CONCRETE PRODUCTS, INC.

Since 1952

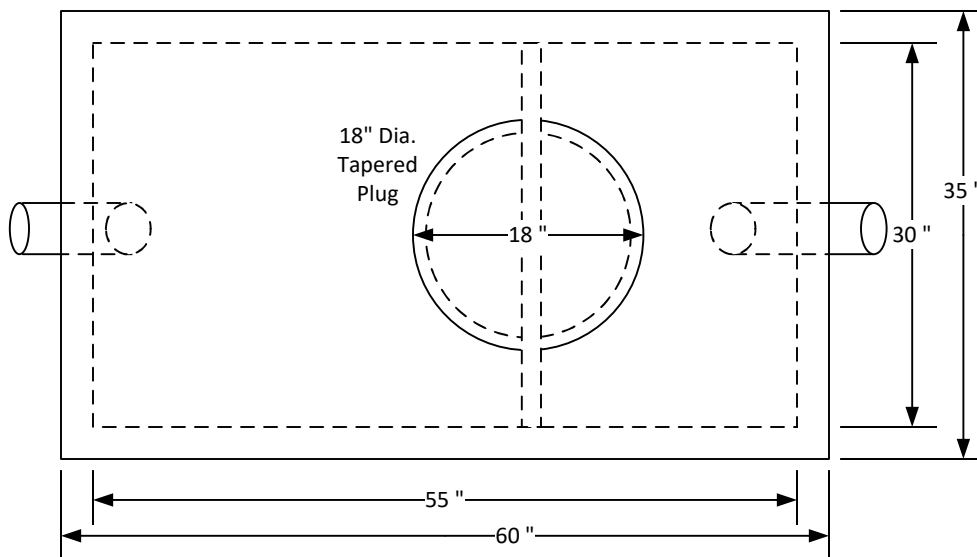
1126 Old Carlyle Rd, Germantown, IL 62245 | Phone: 618-523-4266 | Belleville Phone: 618-277-2120 | Fax: 618-523-4751 | www.kohnenconcrete.com

215 GALLON GREASE INTERCEPTOR

EXCAVATION SIZE: 6 1/2' L X 4' W



- OPTIONS
- GRADE RISERS (DONUTS)
- FRAME & COVERS
- SEALANT



WEIGHT: 3,040 LBS

*AVAILABLE WITH A PLUG OR 24" OPENING FOR FRAME AND COVER