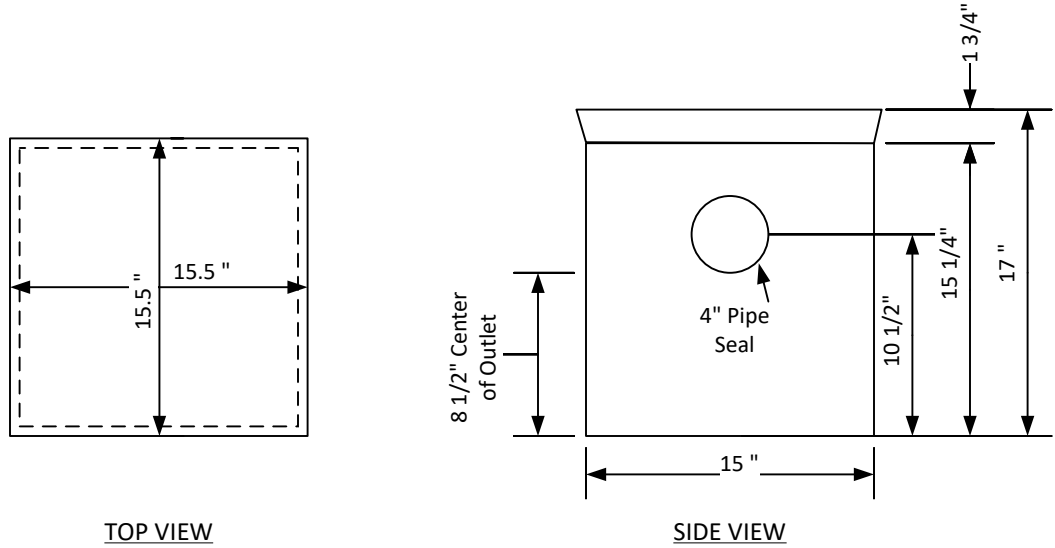




**KOHEN CONCRETE PRODUCTS, INC.**  
Since 1952

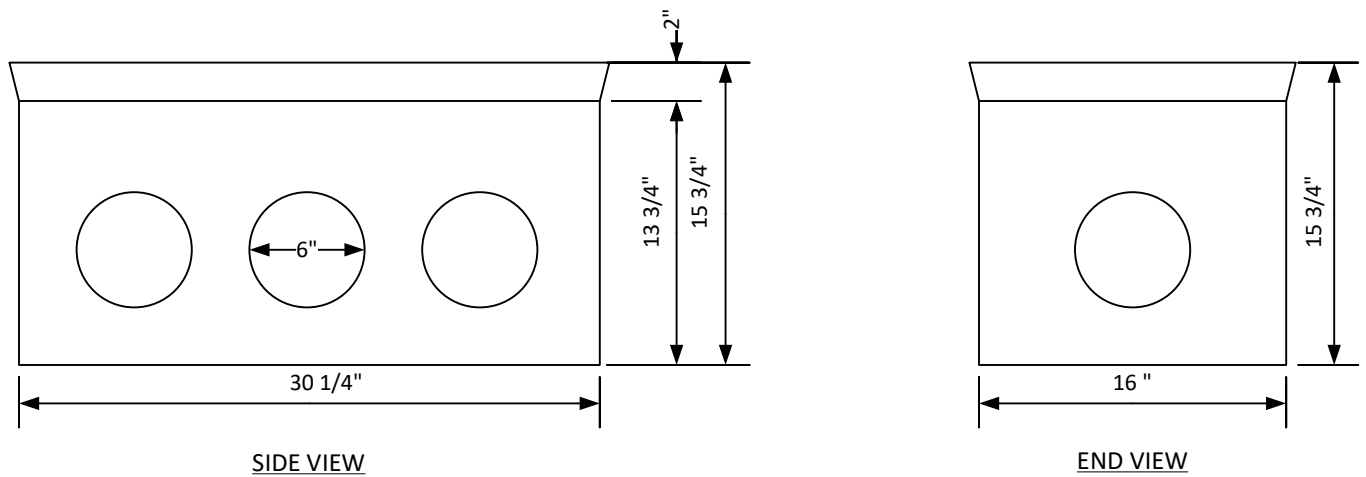
1126 Old Carlyle Rd, Germantown, IL 62245 | Phone: 618-523-4266 | Belleville Phone: 618-277-2120 | Fax: 618-523-4751 | [www.kohenconcrete.com](http://www.kohenconcrete.com)

4 HOLE CONCRETE DISTRIBUTION BOX



WEIGHT: 185 LBS

8 HOLE CONCRETE DISTRIBUTION BOX



WEIGHT: 380 LBS

\*AVAILABLE WITH 4" GASKETS OR 6" HOLES