



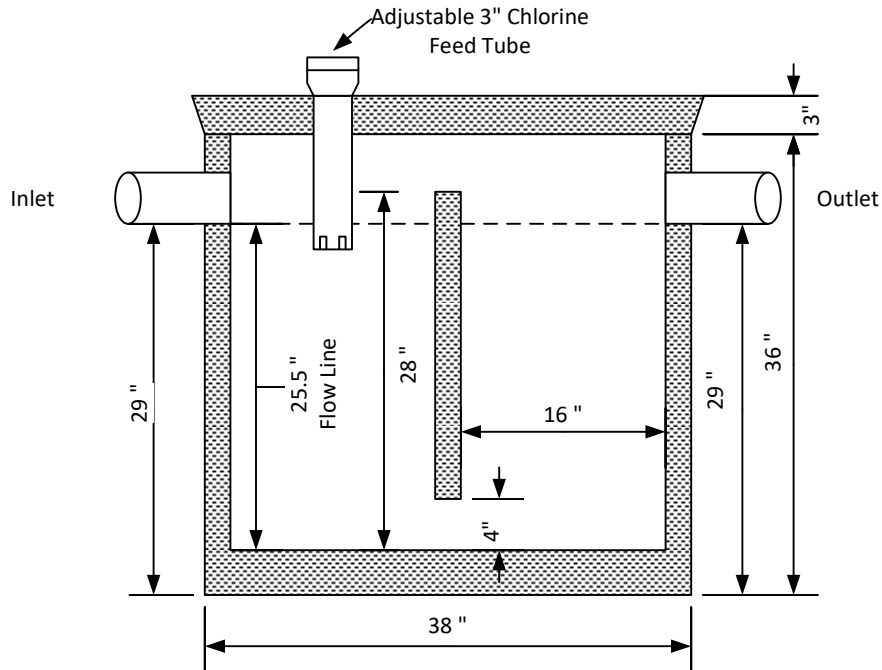
KOHEN CONCRETE PRODUCTS, INC.

Since 1952

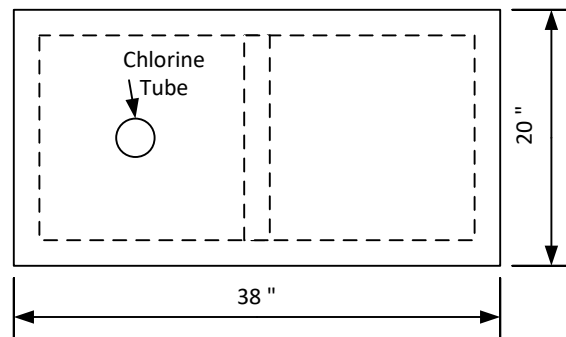
1126 Old Carlyle Rd, Germantown, IL 62245 | Phone: 618-523-4266 | Belleville Phone: 618-277-2120 | Fax: 618-523-4751 | www.kohenconcrete.com

67 GALLON CONCRETE CHLORINE TANK

EXCAVATION SIZE: 24" W X 48" L



SIDE VIEW



TOP VIEW

WEIGHT: 1,000 LBS

- * THE CHLORINE TUBE SHOULD BE ADJUSTED TO BE APPROXIMATELY 1" IN THE WATER
- * THE TUBE IS NOT GLUED INTO THE TOP COUPLING SO IT CAN BE CUT TO LENGTH
- * CHLORINE TABLETS ARE AVAILABLE