



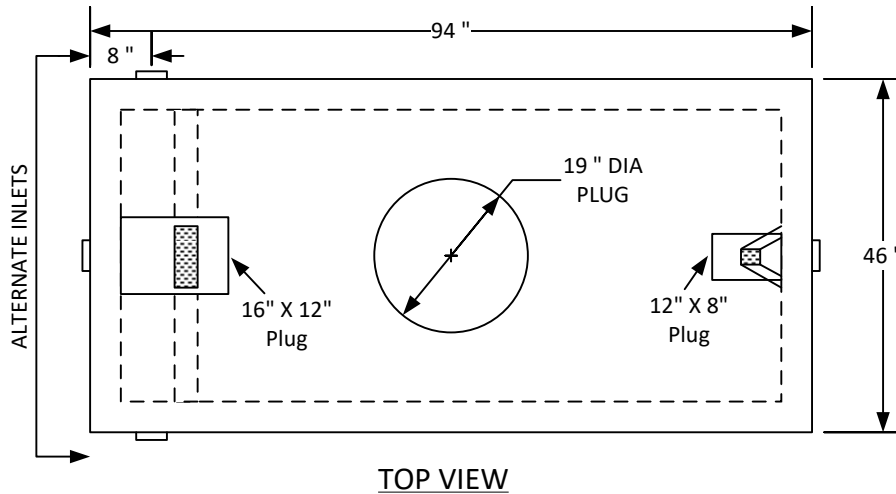
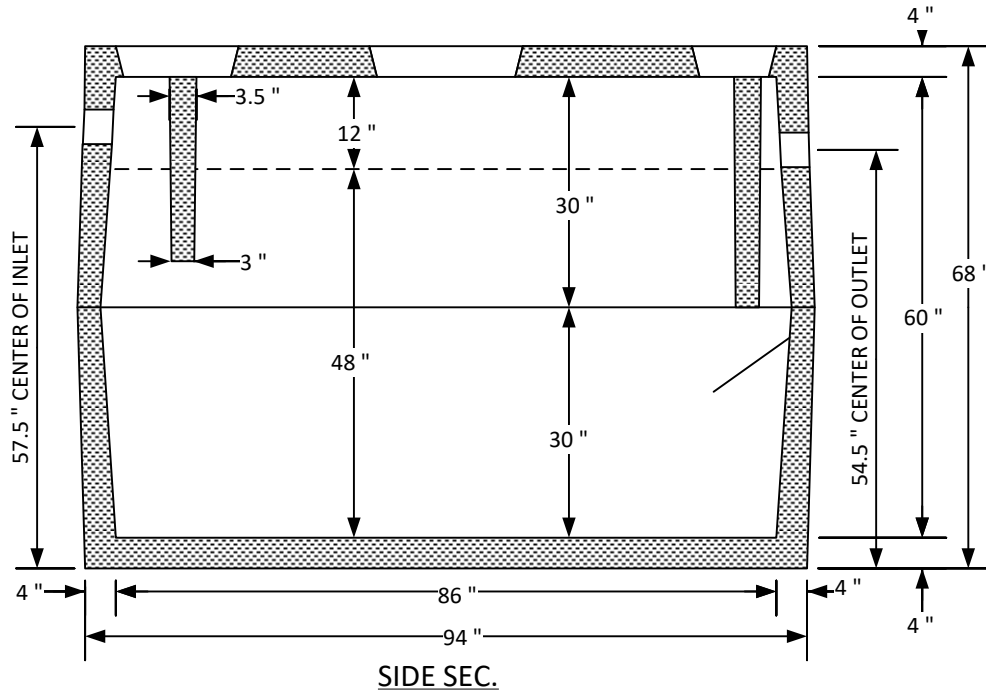
KOHLEN CONCRETE PRODUCTS, INC.

Since 1952

1126 Old Carlyle Rd, Germantown, IL 62245 | Phone: 618-523-4266 | Belleville Phone: 618-277-2120 | Fax: 618-523-4751 | www.kohlenconcrete.com

750 GALLON REINFORCED CONCRETE SEPTIC TANK

EXCAVATION SIZE: 9' L X 5' W



WEIGHT: 7,140 LBS

THIS STRUCTURE IS NOT DESIGNED FOR VEHICULAR TRAFFIC OR MORE THAN 4' OF COVER OVER THE TOP OF THE TANK.