



KOHEN CONCRETE PRODUCTS, INC.

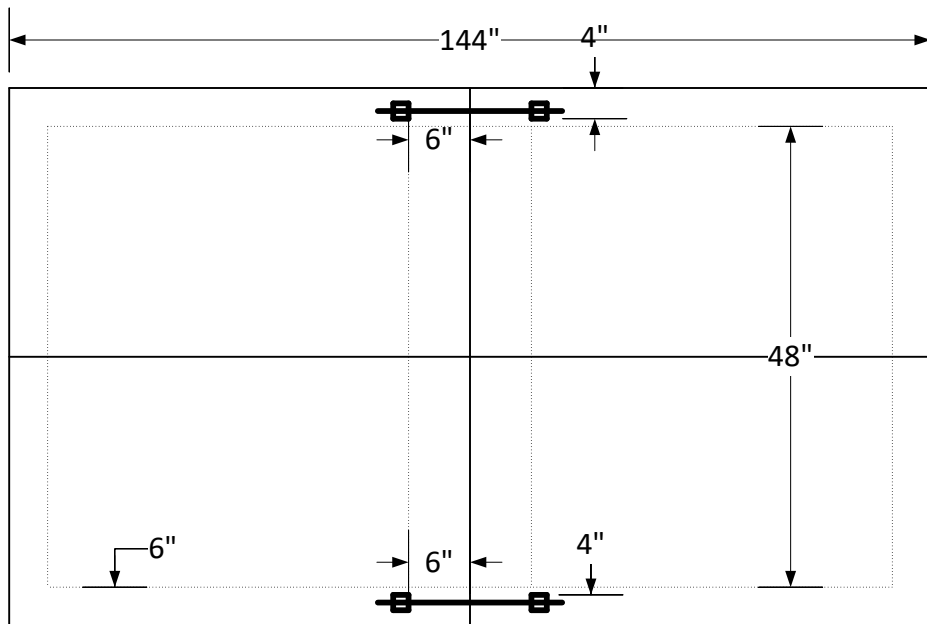
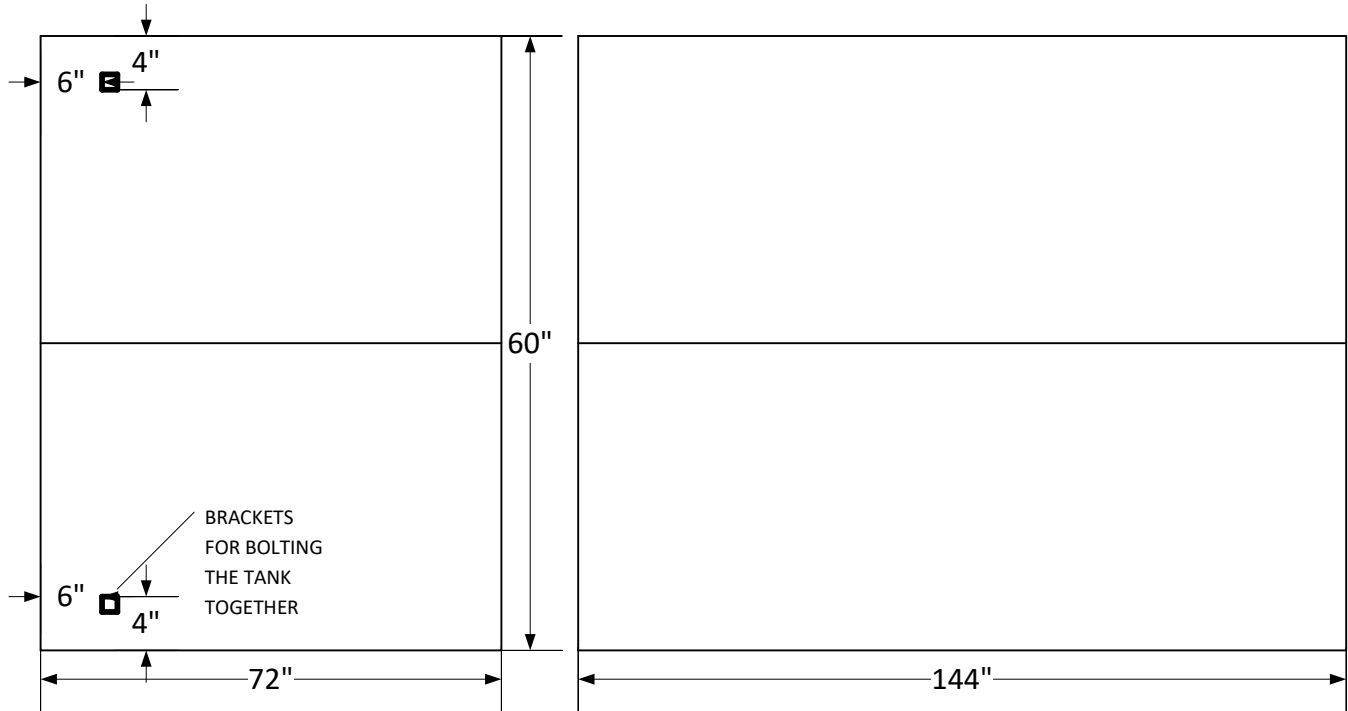
Since 1952

1126 Old Carlyle Rd, Germantown, IL 62245 | Phone: 618-523-4266 | Belleville Phone: 618-277-2120 | Fax: 618-523-4751 | www.kohenconcrete.com

CDB TOILET VAULT

END VIEW

SIDE VIEW



END VIEW WITH BOLTS

5/8" X 18" STAINLESS BOLTS, NUTS, WASHERS
TOTAL WEIGHT PER TANK 19,700 LBS. (9,850 LBS. PER HALF TANK)