



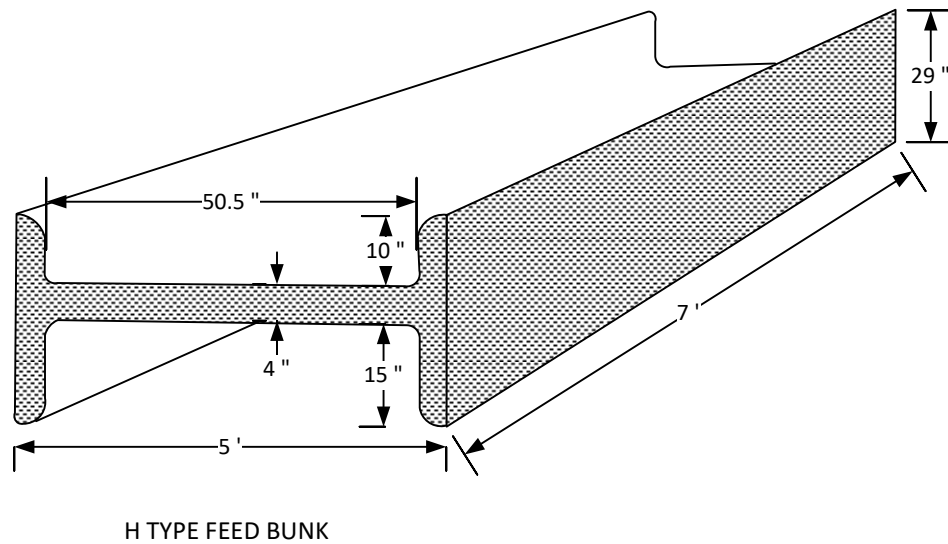
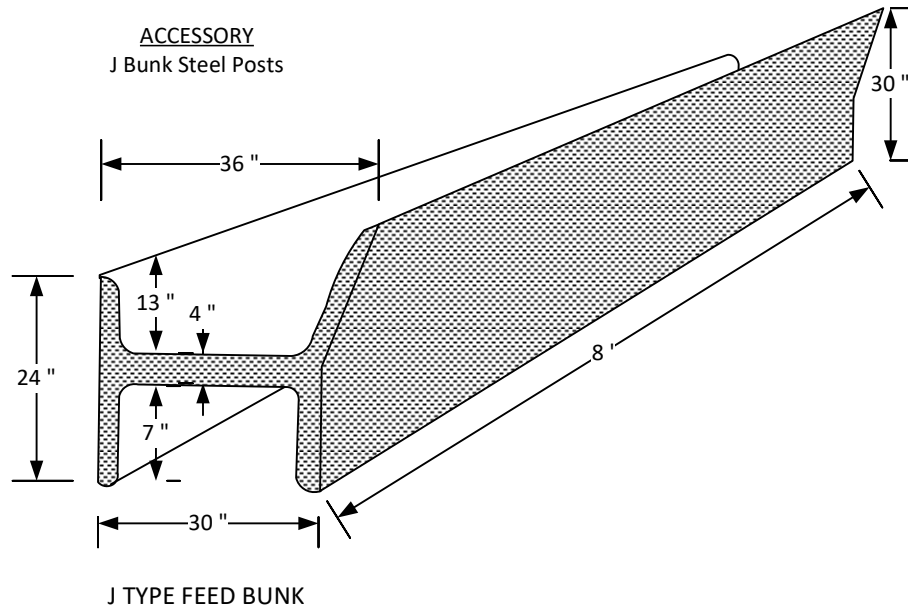
KOHLEN CONCRETE PRODUCTS, INC.

Since 1952

1126 Old Carlyle Rd, Germantown, IL 62245 | Phone: 618-523-4266 | Belleville Phone: 618-277-2120 | Fax: 618-523-4751 | www.kohlenconcrete.com

CONCRETE FEED BUNKS

J TYPE & H TYPE



WEIGHT:

H TYPE 3100 LBS PER SECTION
J TYPE 2700 LBS PER SECTION