



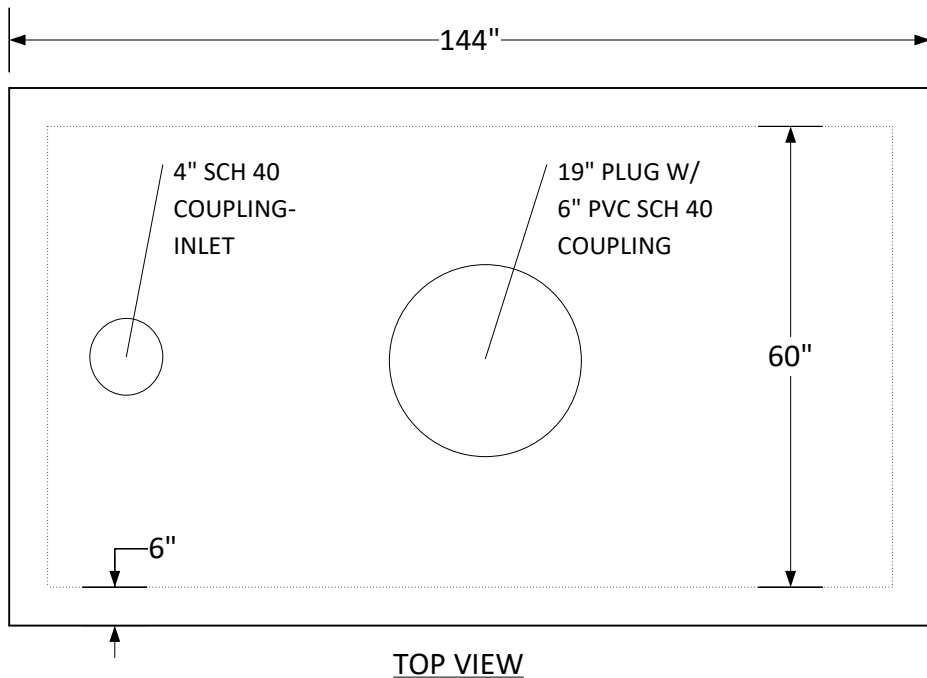
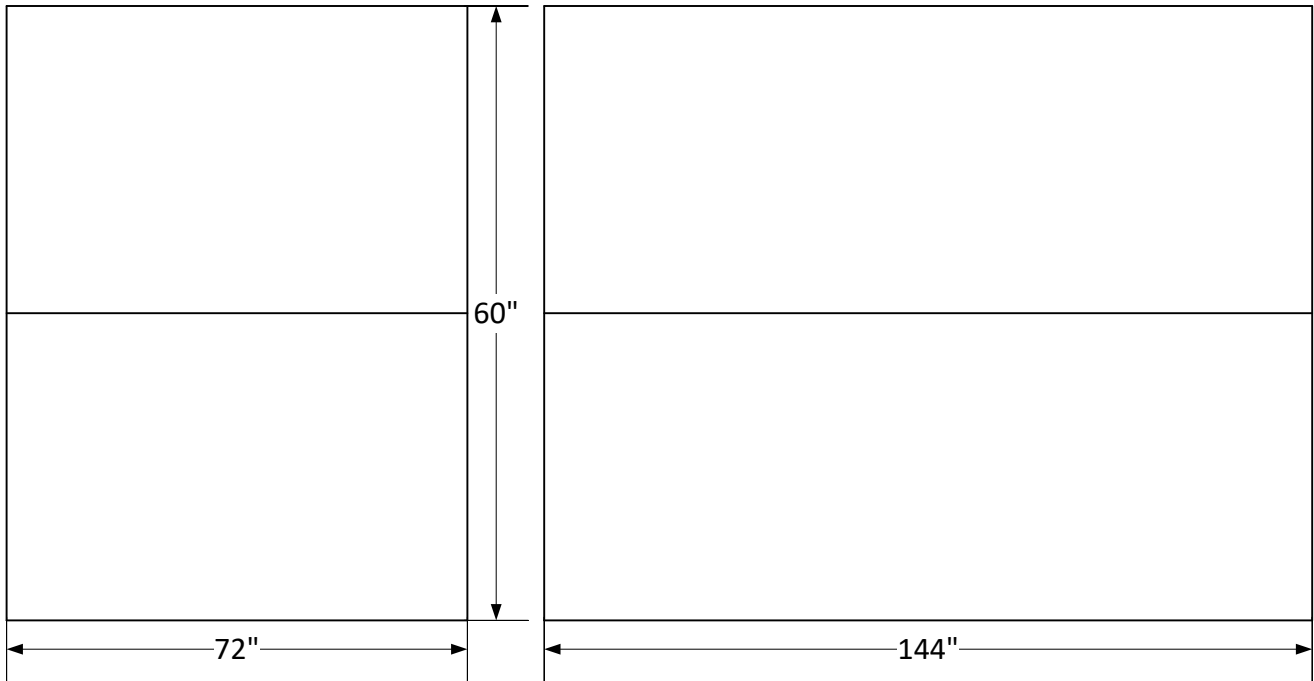
KOHLEN CONCRETE PRODUCTS, INC.
Since 1952

1126 Old Carlyle Rd, Germantown, IL 62245 | Phone: 618-523-4266 | Belleville Phone: 618-277-2120 | Fax: 618-523-4751 | www.kohlenconcrete.com

**1500 GALLON WETLAND HOLDING TANK - CORP
OF ENGINEERS APPROVED**

END VIEW

SIDE VIEW



TOTAL WEIGHT PER TANK 19,850 LBS.