



# KOHLEN CONCRETE PRODUCTS, INC.

Since 1952

1126 Old Carlyle Rd, Germantown, IL 62245 | Phone: 618-523-4266 | Belleville Phone: 618-277-2120 | Fax: 618-523-4751 | [www.kohlenconcrete.com](http://www.kohlenconcrete.com)

## CONCRETE INSULATED PUMP BOX & WATER SYSTEM

### PUMP SYSTEM FEATURES:

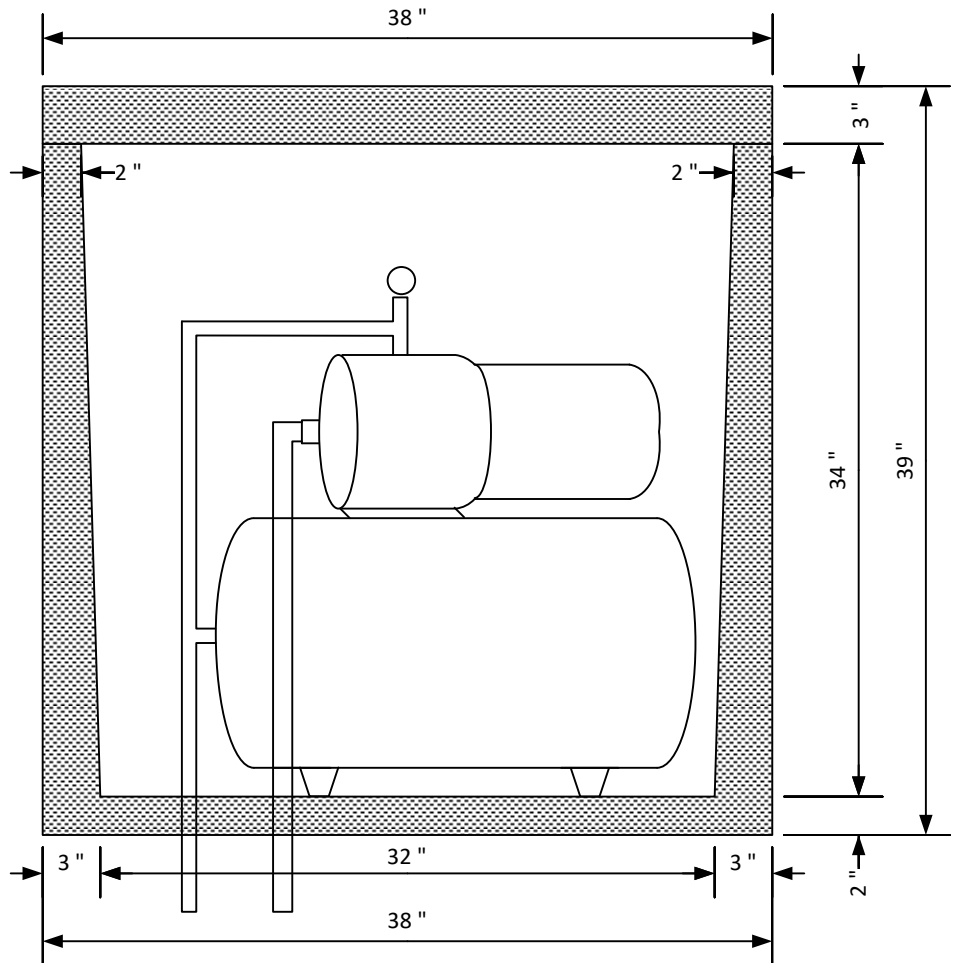
1. Goulds 1/2 HP Shallow Well Jet Pump
2. Well Xtrol JR-25 Tank with 162 Pump Mount
3. 1" Suction Line with Brady Foot Valve

### PUMP BOX FEATURES:

1. Concrete Box & Lid
2. Styrofoam Insulation
3. Hot Scot Element Heater
4. Duplex Receptical
5. Electrical Conduit & LB Assembly

### ACCESSORIES

- Low Water Cut Off Switch
- Float Switch



WEIGHT: 1,035 LBS